

# Brivis Iceberg™

Australia's only  
sub-roof  
evaporative cooler



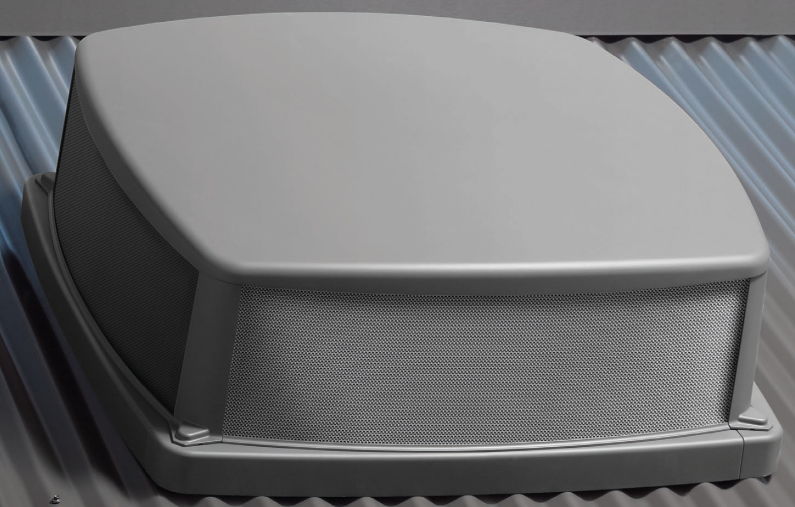
**brivis**





Theirs

Ours





# Welcome to a New World of Comfort

## Brivis – Australia's leading climate system

A reputation for innovation, reliability and quality for over 50 years has led to Brivis being recognised as the staple of evaporative cooling in Australian homes.

Every Brivis cooler is tailor made for the severe Australian summer and is guaranteed to provide your home with cool, refreshing air for many years. Our design and manufacturing process is accredited to the ISO9001.

Made from premium materials and built to last, Brivis provides a 5 year parts and labour warranty on all Brivis evaporative coolers, including a 10 year structural warranty.

In addition to producing world-class home climate systems, Brivis also operate a National Customer Care Centre, open 6 days a week. Our knowledgeable staff are there to ensure total enjoyment of your new Brivis Iceberg™ Cooler.

## How Iceberg™ cooling works:

Installed neatly and out-of-sight in your roof-space, the Brivis Iceberg™ begins its cooling process by drawing fresh air in through its Icecap™ vent\*. This air passes through the Brivis exclusive Hydrochill™ fins which cool the air through evaporation. This fresh cooled air is then quietly distributed as a gentle breeze throughout your home via a network of optimally placed ceiling outlets.

Compared to refrigerated air conditioning, the result is **cheaper, fresher** and completely **natural** air that is never re-circulated. Best of all, the Brivis Iceberg™ keeps your home naturally cool even with your doors and windows open, which is great for young active families as well as enjoying the summer in alfresco style.



\*An icecap™ may not be required if there is sufficient alternative air intake.



A better,  
more natural  
way to cool  
your home

Iceberg™





Our hottest season is a strain  
in more ways than one

# The Australian Summer

## Sweltering temperatures

The long hot days, the barbeques and the beach – it's what our country is famous for. However, an inefficient air-conditioning system can turn what should be months of bliss into months of hot, dry discomfort.

During the hottest days, it's tough to remain cool next to fans and ineffective air conditioners. As you struggle with the heat through the day, the suppressing feeling intensifies making the simplest tasks around the home seem like laborious chores.

Hot nights are often restless. The trapped heat from the day seeps into the bedrooms and evening living spaces; making cold showers before bed just about the only form of relief and comfort.

## Scorching costs

As the mercury rises so to do your utility bills. Without an effective product to cool your home, summer can quickly become the most expensive season of the year.

Comparative split and ducted refrigerated air conditioners only add to your summer cooling costs. Their expensive installation costs coupled with even higher running costs dwarf that of evaporative cooling; leaving you fearing the inevitable power bill.

With the cost of electricity on the rise, you and your family need to lock in a solution that not only fulfils your current needs, but doesn't blow out the budget for years to come. It is such a waste to buy an expensive refrigerated system and then be afraid to turn it on.



Choose an  
evaporative cooler  
that's up to the  
challenge of our  
harsh summer

Iceberg™





Take the heat off your family and expenses

# A Cool Solution

## The Iceberg™ summer

From the moment you switch your Brivis Iceberg™ cooler on you'll notice it's Brivis' coldest and quietest evaporative cooler ever. This is achieved through 'leading-edge' Brivis exclusive acoustic cooling chamber with Hydrochill™ fins.

Within minutes, the enhanced surface area and premium efficiency of these Hydrochill™ fins will have filled in your home with naturally fresh cooled air. With its class leading evaporation efficiency, the Brivis Iceberg™ ensures the air is at its coolest before it reaches you.

These benefits are achieved despite the Brivis Iceberg™ slim and compact form, which delivers an airflow performance equal to traditional on-roof coolers.

## Freeze your summer expenses

From the moment you install a Brivis Iceberg™ evaporative cooler you'll be taking the strain off the costly summer season.

Compared to ducted refrigerated cooling, the Brivis Iceberg™ is around half the cost to install. This substantial saving allows you to spend money on the more important things the Aussie summer is famous for.

The savings continue when summer truly kicks in and your cooling usage increases. When compared to similar capacity refrigerated systems, the Brivis Iceberg™ running costs are around 90% cheaper\*. Now you can cool your home naturally without costly utility bills.

These savings come from thoughtful design decisions at every stage of the engineering and manufacturing processes. Decisions like smaller, but more efficient Hydrochill™ fins with up to 93% efficiency rating\*\*, intelligent water saving measures and most importantly, the use of natural, clean air.

\*Refer to [www.resourcesmart.vic.gov.au](http://www.resourcesmart.vic.gov.au)  
\*\*Source: Department of Energy Technology, CSIRO, July 2012"



Let fresh, natural, cool air sweep the heat from your home

Iceberg™

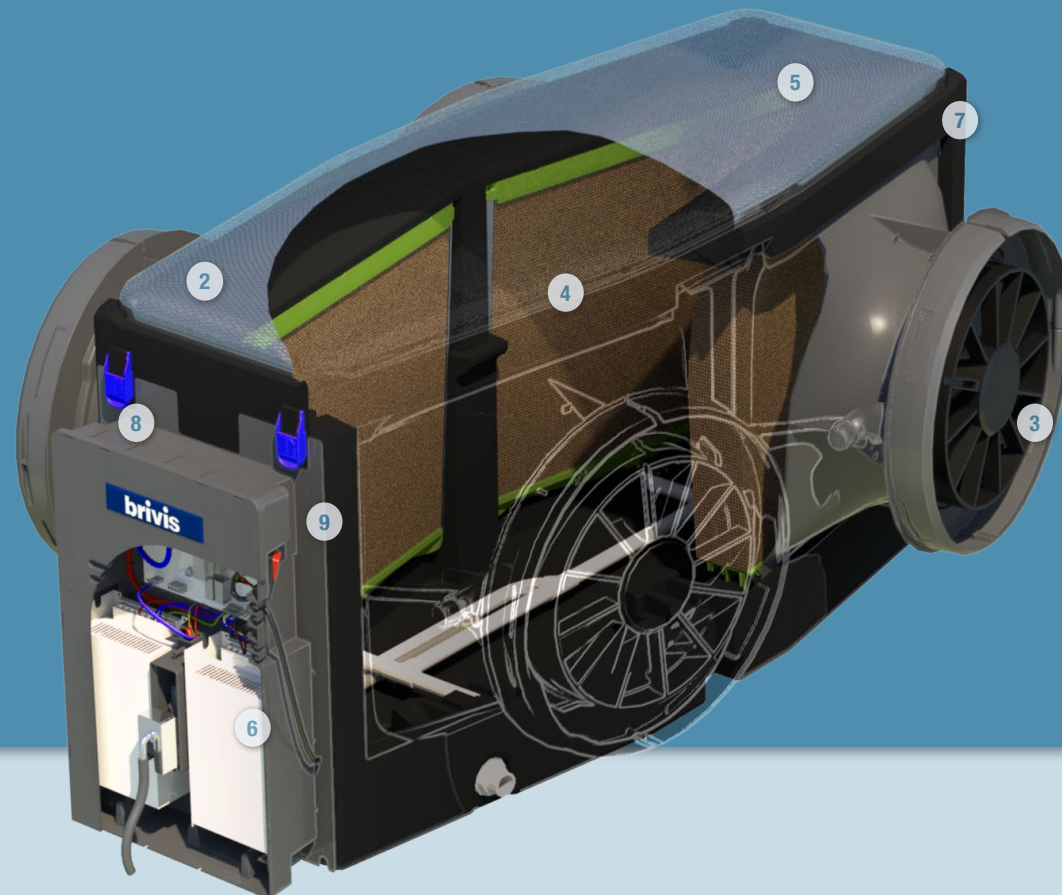
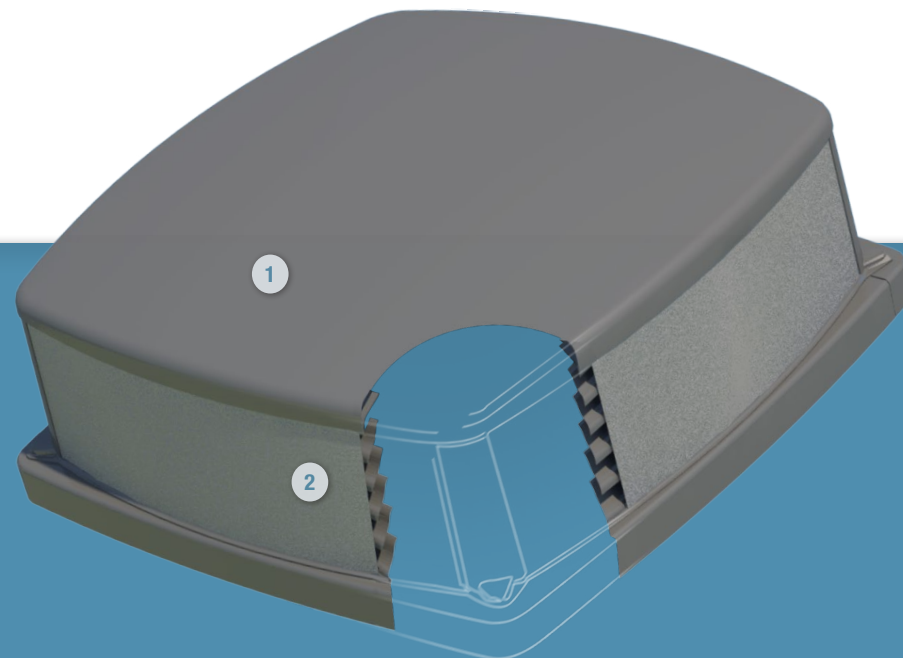


# More than a Pretty Face

## Engineered for total comfort

After 50 years in climate systems, Brivis has fine-tuned evaporative cooling to a level of unrivalled performance.

With innovative features such as Hydrochill™ fins to ensure the coldest air combined with the acoustic cooling chamber to deliver whisper quiet performance, the Brivis Iceberg™ will leave you satisfyingly cool!



### 1. Icecap™

The lowest profile housing made of colourfast and durable plastic. Available in charcoal.

### 2. Fine Mesh Screen

A superfine stainless steel mesh prevents unwanted particles from entering your home.

### 3. Inverta-Fan™

Super quiet direct drive variable speed fans deliver maximum airflow quietly and smoothly.

### 4. Hydrochill™ Fins

A greater surface area than traditional evaporative cooling pads resulting in up to 93% evaporative efficiency.

### 5. Auto-WinterSeal

Prevents warmth escaping from your home in winter.

### 6. SynchroDrive Pump

Delivers the precise amount of water for optimum performance.

### 7. Acoustic Cooling Chamber

Made of light-weight aerated polypropylene ensuring whisper quiet performance.

### 8. Trident PLUS Water Management System

Incorporating AquaSave® which conserves precious water and prevents build up of contaminants, maintaining optimum efficiency.

### 9. Evaporator Module

Ensures the air is evenly distributed across the Hydrochill™ fins to produce the coldest air.



### See it in action

Watch the video to see how the Brivis Iceberg™ works.

[brivis.com.au/iceberg](http://brivis.com.au/iceberg)



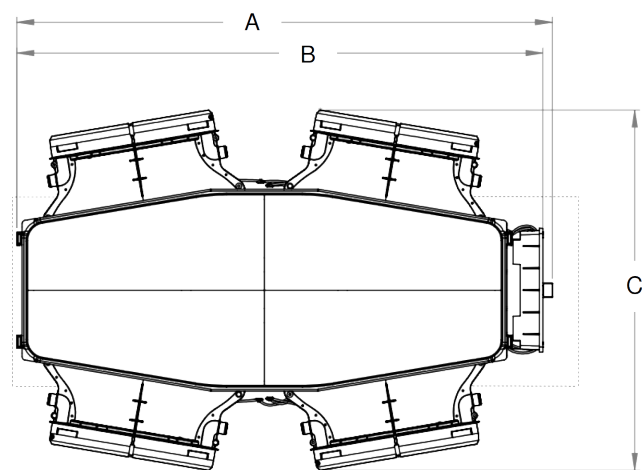
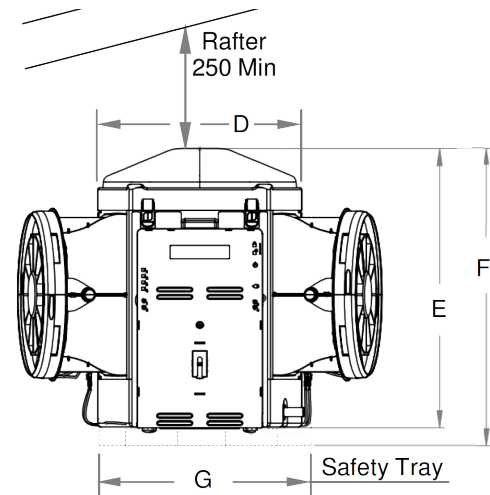
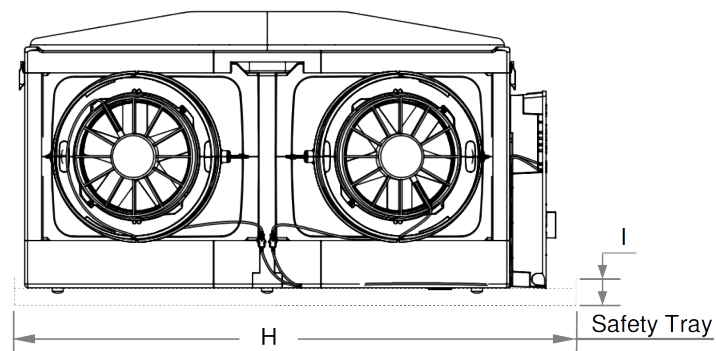
### BAL Bushfire ready

If you are located in a high risk bushfire area and you want the ultimate in protection, the BAL Icecap™ has metal structural support with stainless steel ember protection, specifically engineered to meet Australian Standard Bushfire Attack Level 29 (AS3959).

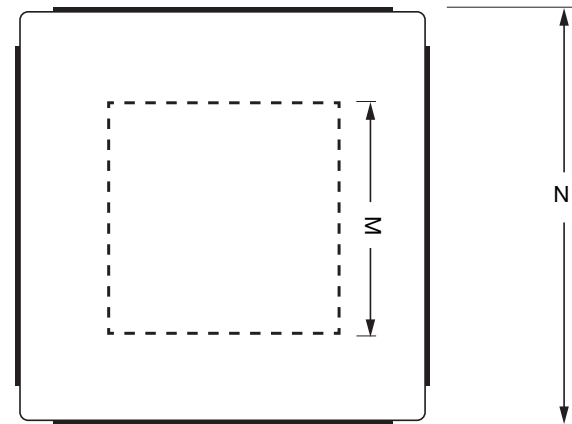
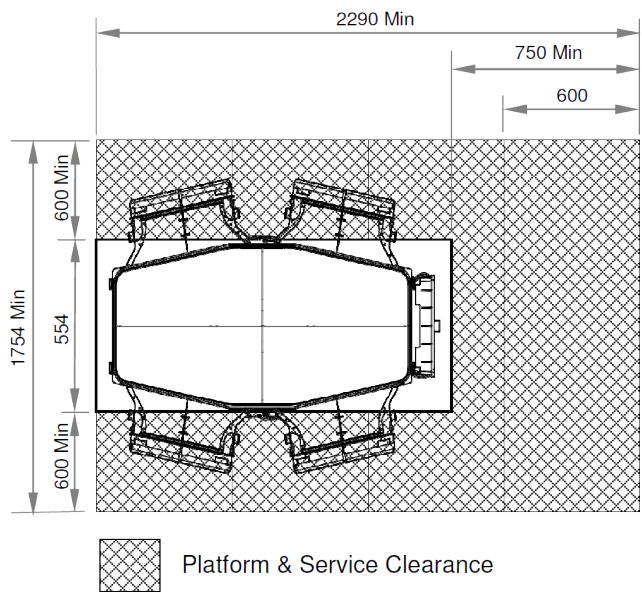
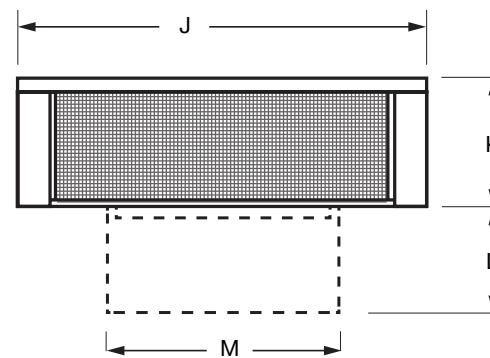
Iceberg™



ICEBERG SPECIFICATIONS (mm)									Weight (kg)
A	B	C	D	E	F	G	H	I	
1458	1432	982	550	753	800	554	1540	66	70



ICECAP SPECIFICATIONS (mm)						Weight (kg)
Type	J	K	L	M	N	
Icecap™ (Standard)	885	425	249	548	885	23
Icecap™ (BAL)	902	278	249	548	902	24



Platform & Service Clearance

# Take Control of your Home



## One control for total comfort

In Auto mode, while the temperature outside changes throughout the day, the Iceberg™ controller will maintain your desired comfort level inside. The Brivis Iceberg™ controller provides you with maximum comfort. Featuring an LCD screen, the clear display allows you to set both Manual and Timer modes or simply set the Auto mode.

## Brivisize™

Ask your local Brivis dealer to Brivisize™ your home. Brivisize™ is a unique online sizing tool, ensuring your home is measured up correctly and accurately for all Brivis heating and cooling solutions. Backed by our Brivis Performance Guarantee, Brivisize™ is our answer for ultimate peace-of-mind.



## Brivis Performance Guarantee

Expert design and installation of comfort systems is essential in ensuring optimum operation and maximum performance. The unique Brivisize™ software enables designers, in consultation with you, to accurately select the perfect Brivis system for your home. After using the guide and having your Brivis system correctly installed and commissioned by a licensed professional, if the Brivis system does not perform as it was designed to do, Brivis will repair or replace the Brivis system free of charge, or refund your money.



Save money and your skyline with the Brivis Iceberg™



# Talk to us

For all sales and  
service enquiries:

## **Australia - Brivis Pty Ltd**

Telephone: 1300 BRIVIS (1300 274 847)

Email: [sales@brivis.com.au](mailto:sales@brivis.com.au)

Web: [brivis.com.au](http://brivis.com.au)

## **New Zealand - Distributed by Warm Air Ltd**

Telephone: 0800 WARMAIR (0800 9276 247)

Email: [sales@warmair.co.nz](mailto:sales@warmair.co.nz)

Web: [warmair.co.nz](http://warmair.co.nz)



Consult your local authorised Brivis  
dealer for the best advice



**brivis**

© Brivis Climate Systems Pty Ltd  
AU: 24752 ABN: 64 096 079 088

All rights reserved DEC2014 FSA/BCS0007